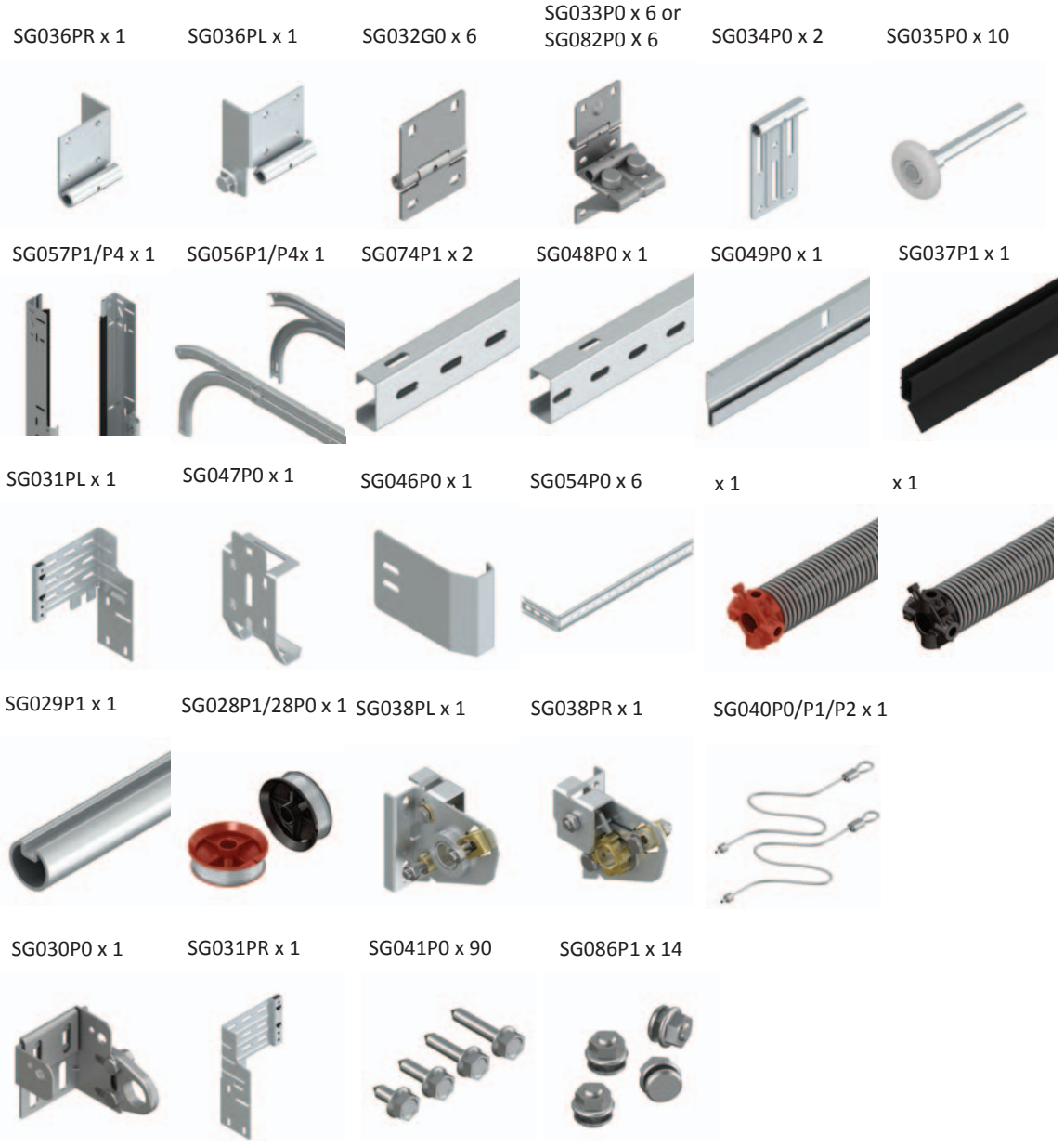
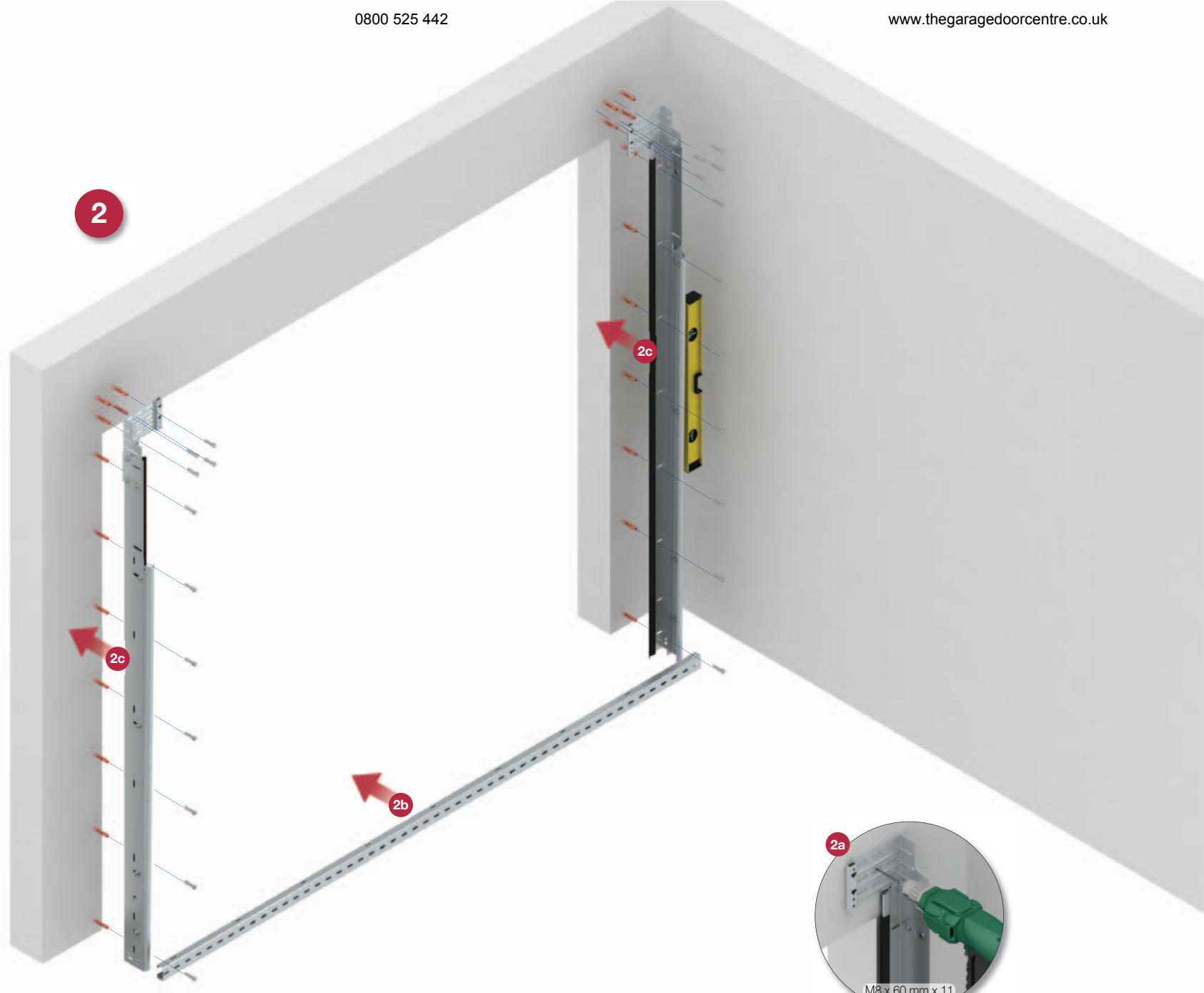


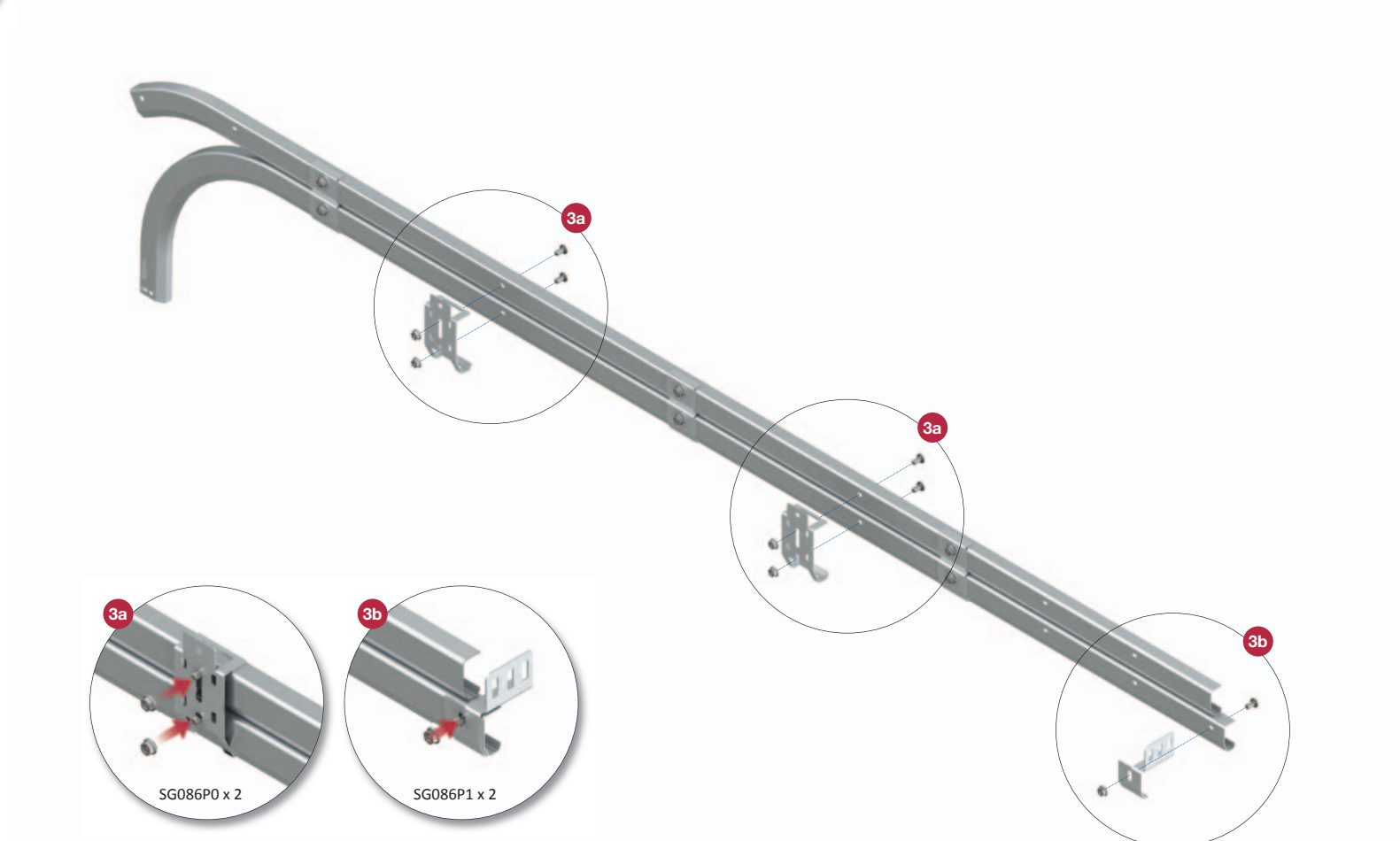
# Fitting Instructions for the Plus Front Mounted System

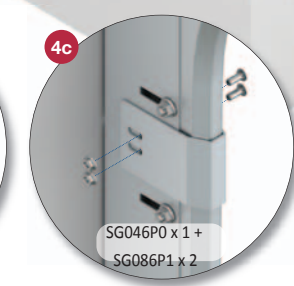
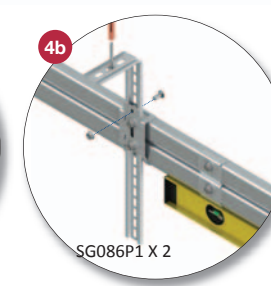
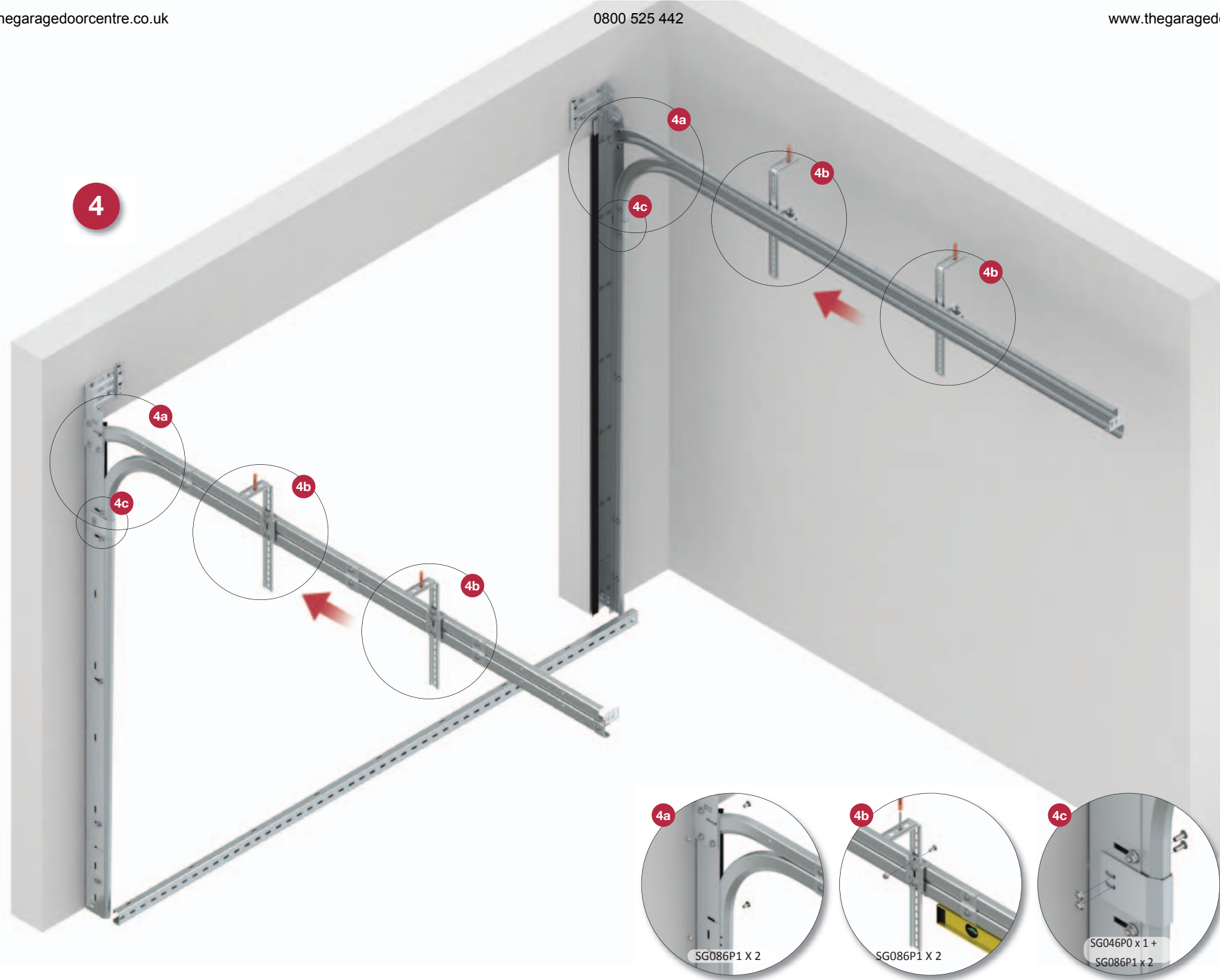


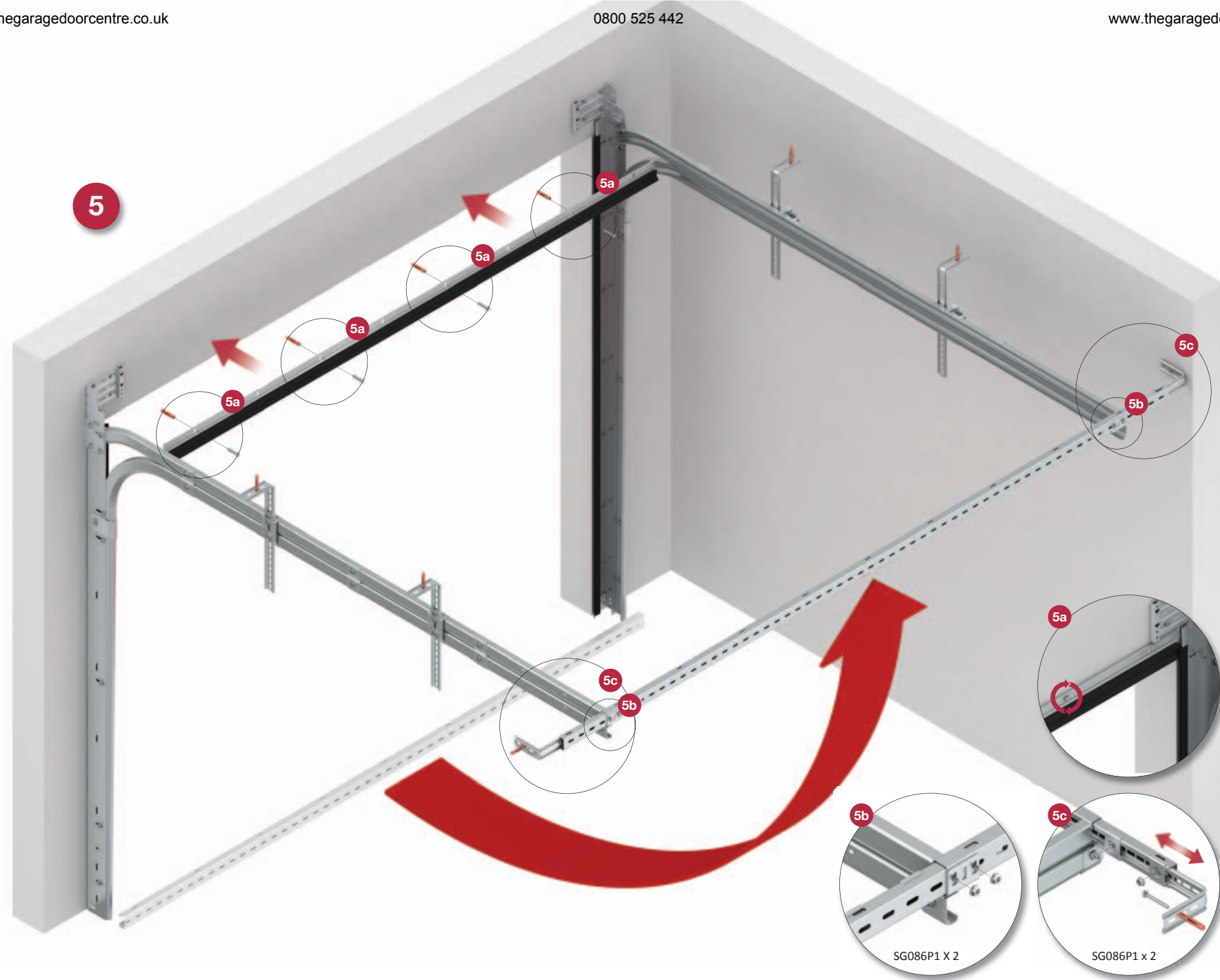


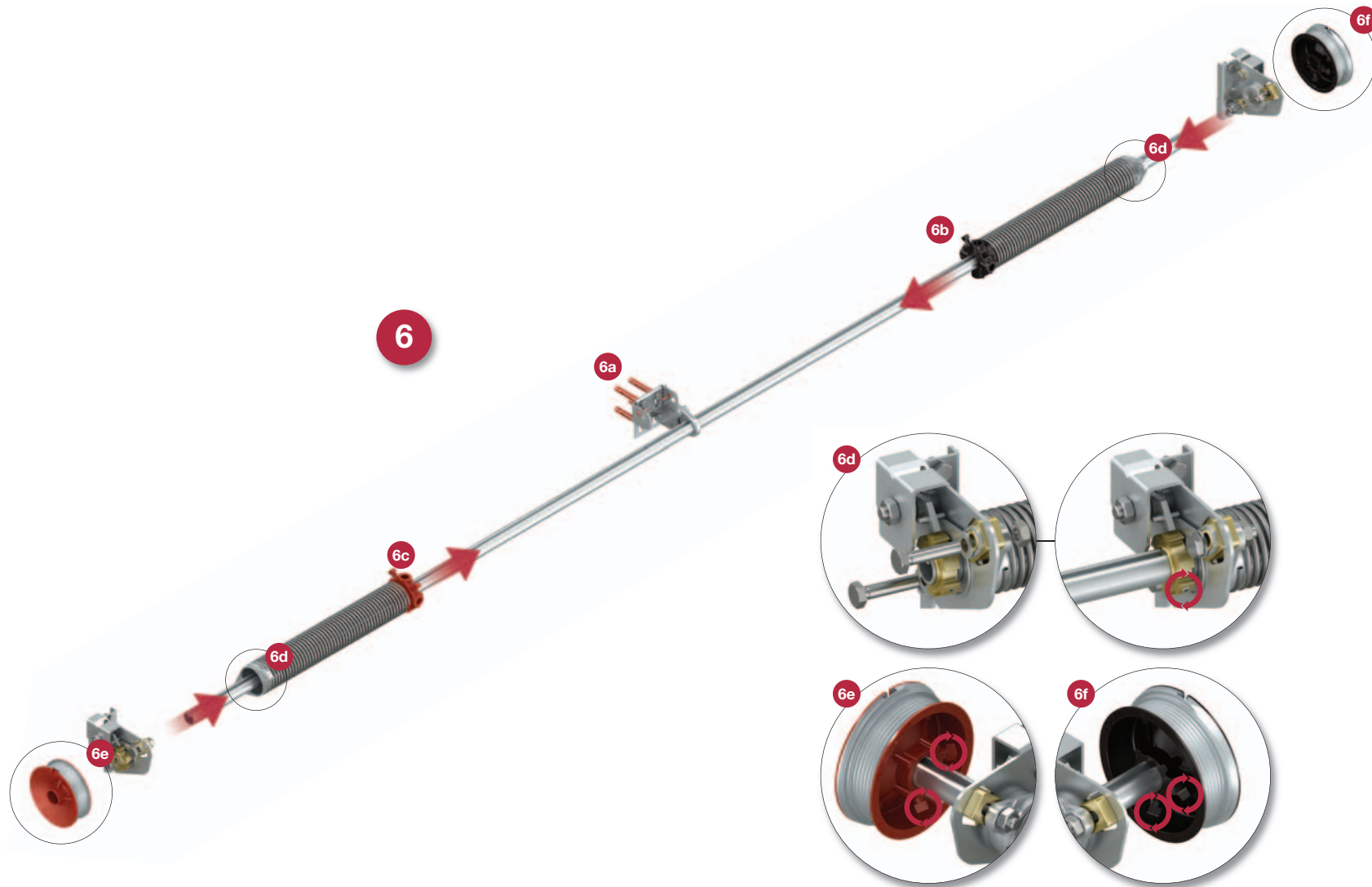


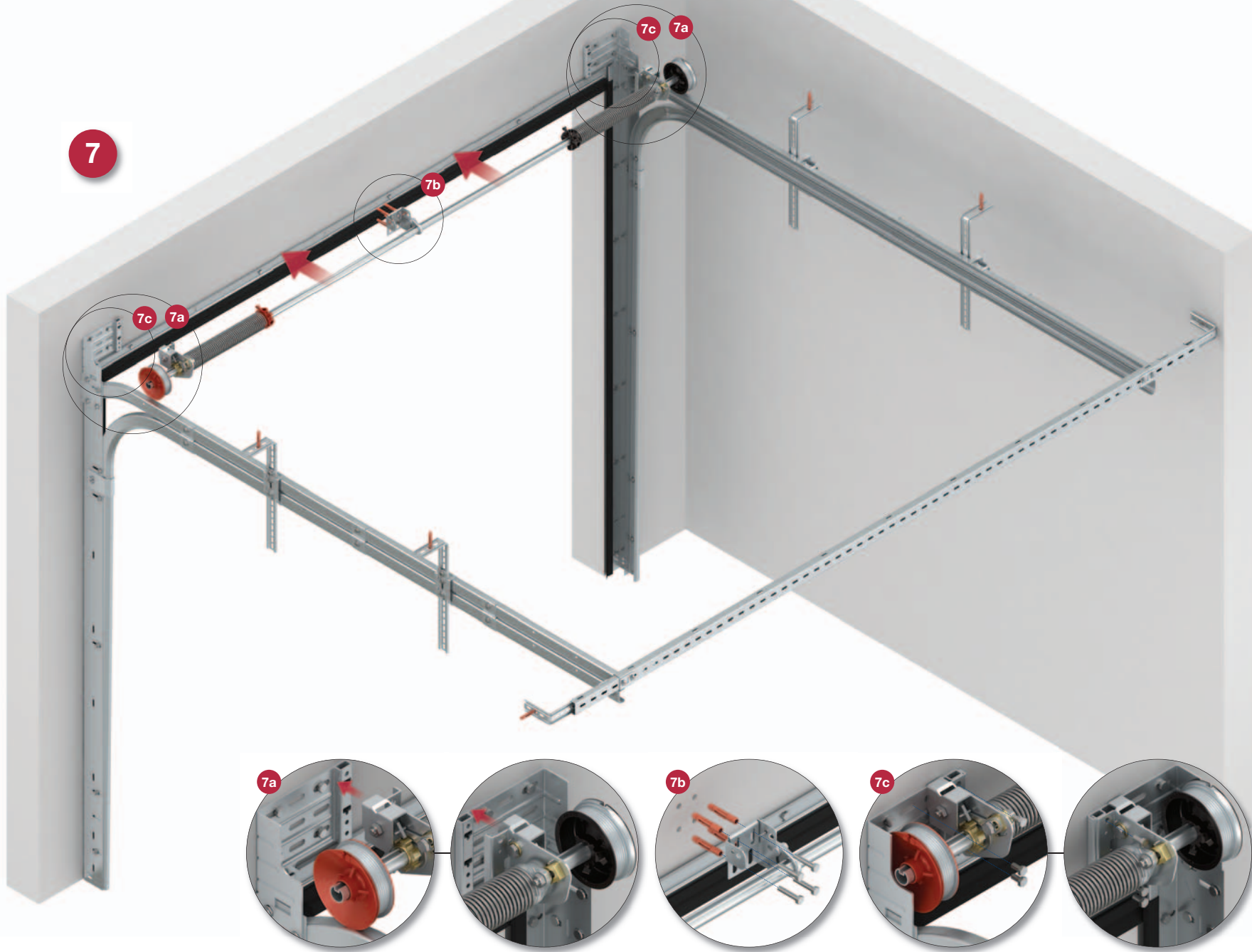
3



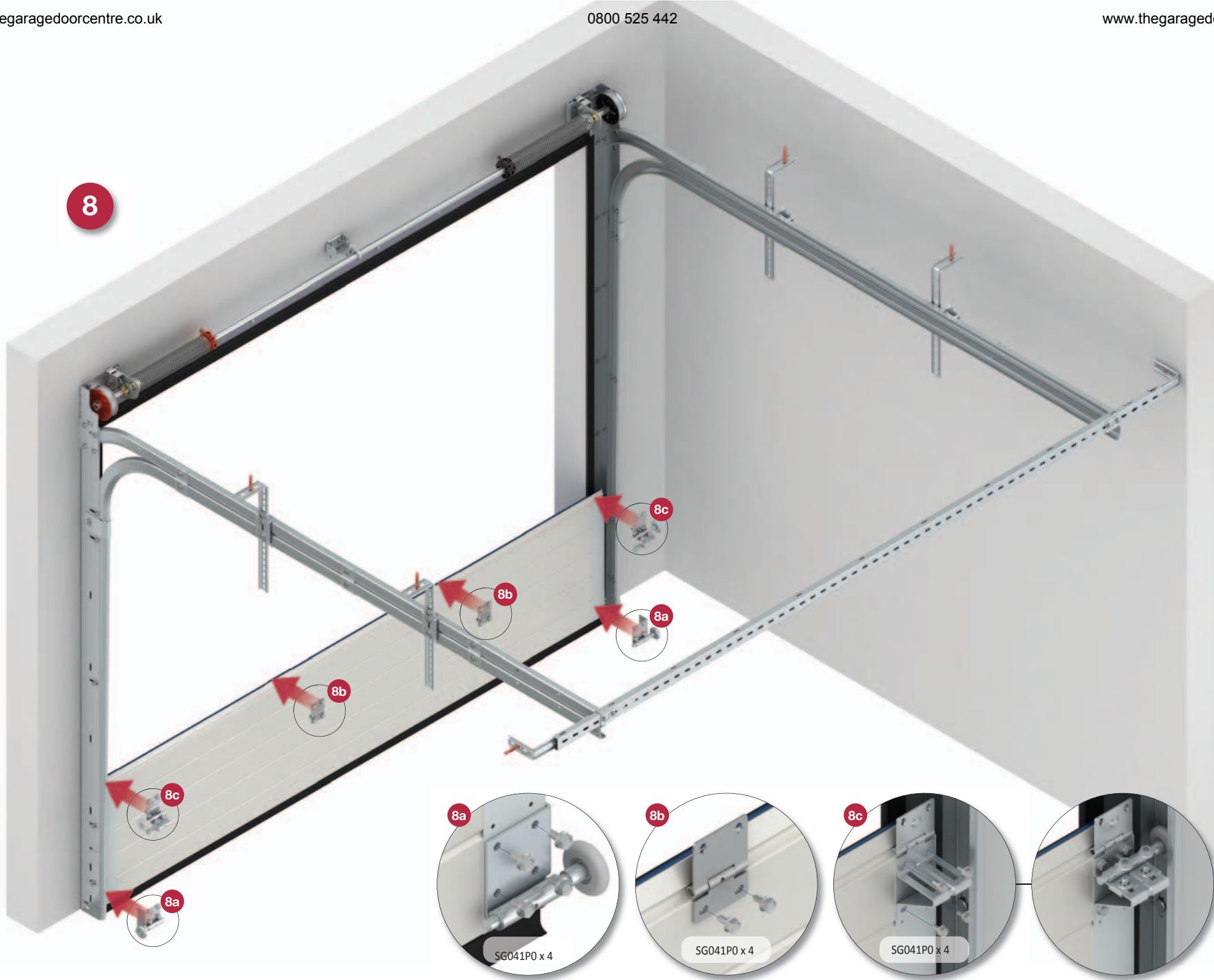


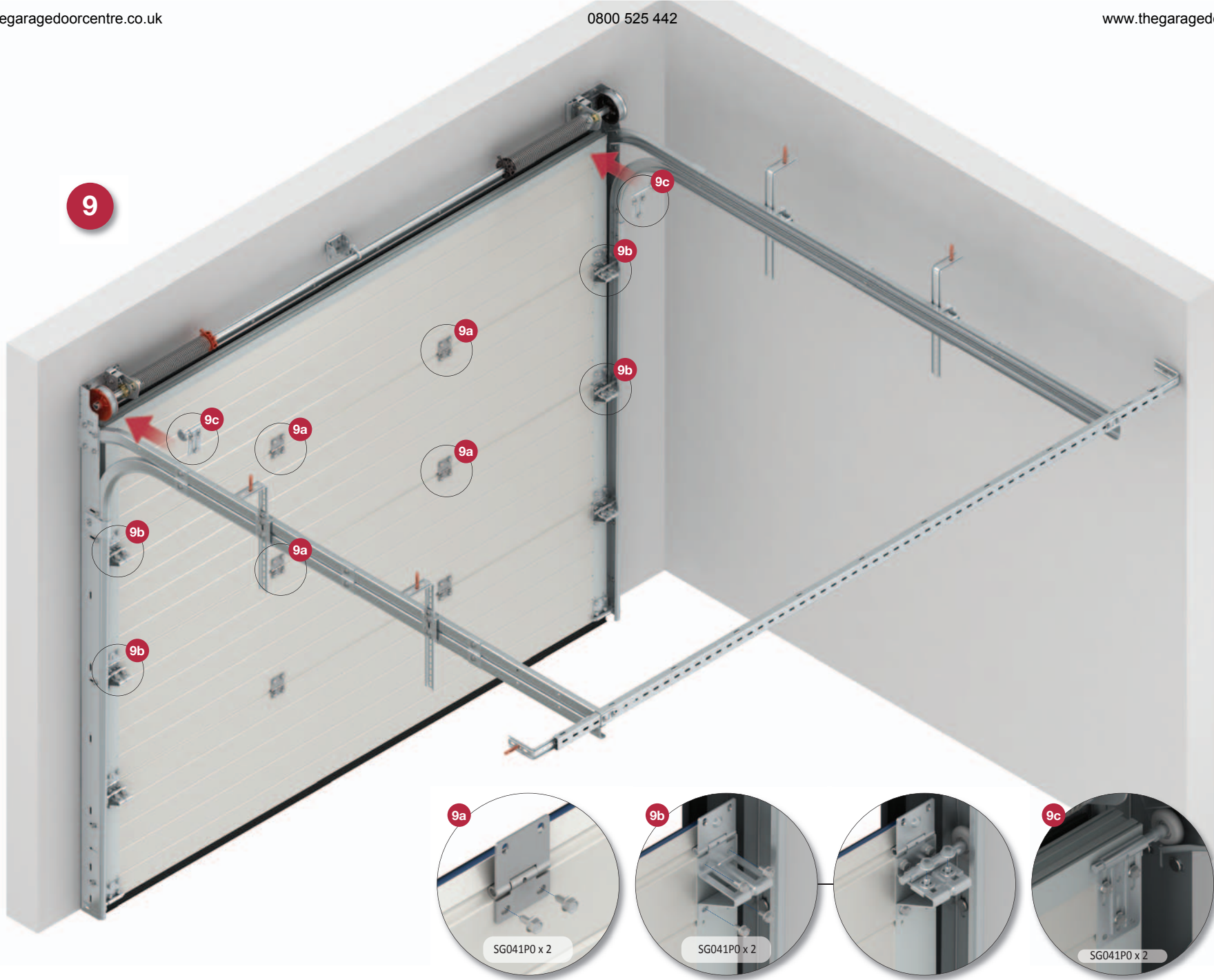


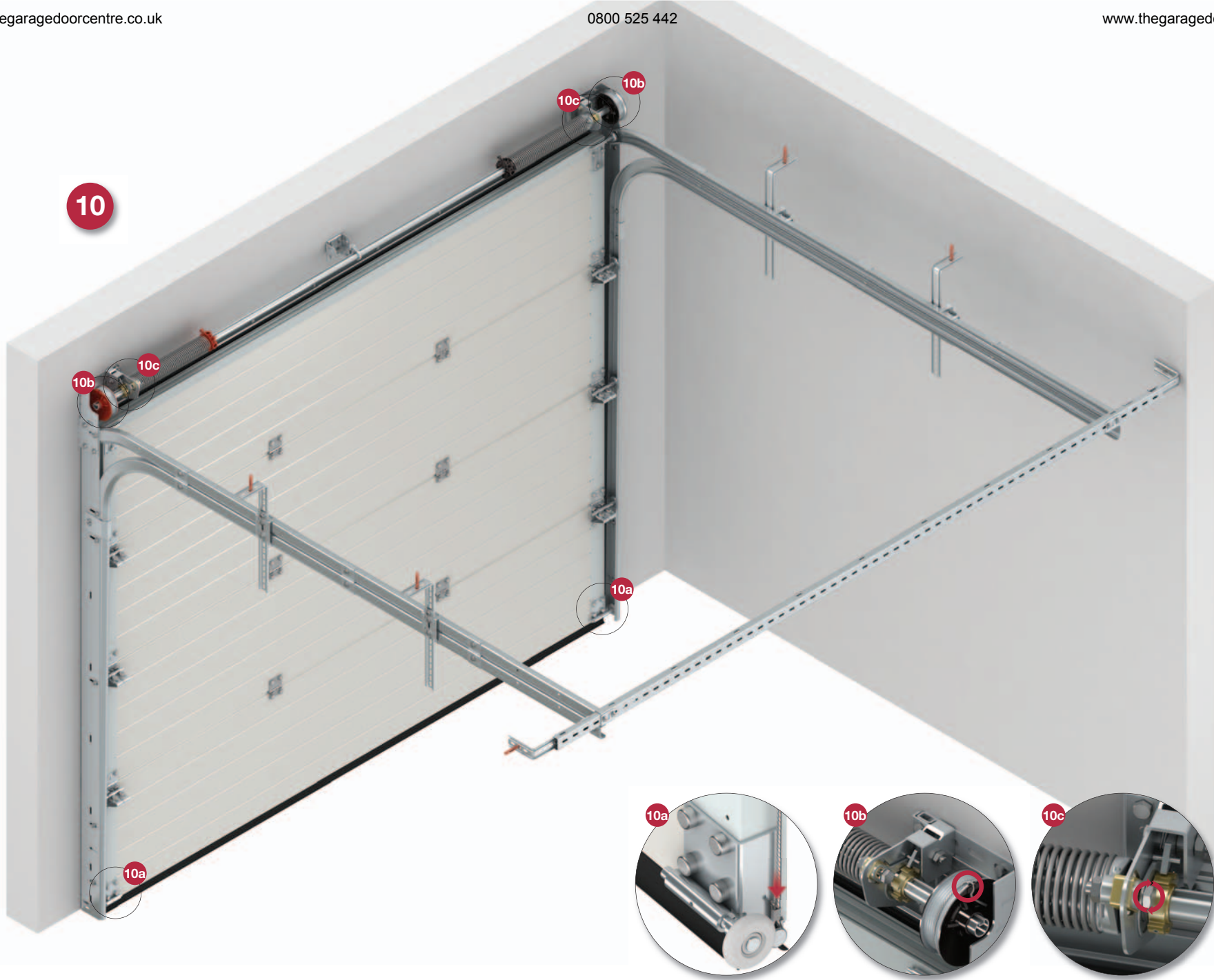


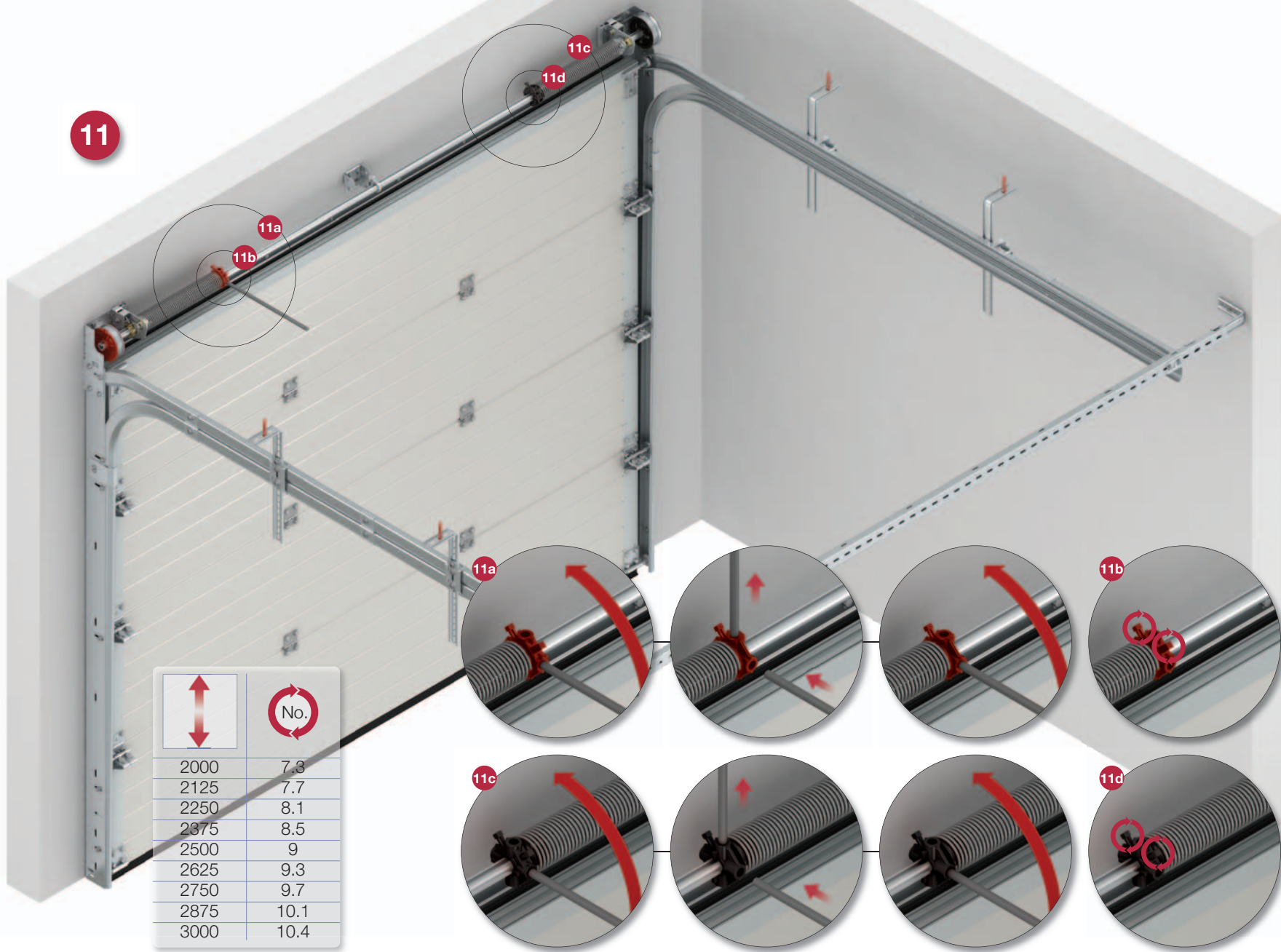














	
2000	7.3
2125	7.7
2250	8.1
2375	8.5
2500	9
2625	9.3
2750	9.7
2875	10.1
3000	10.4

